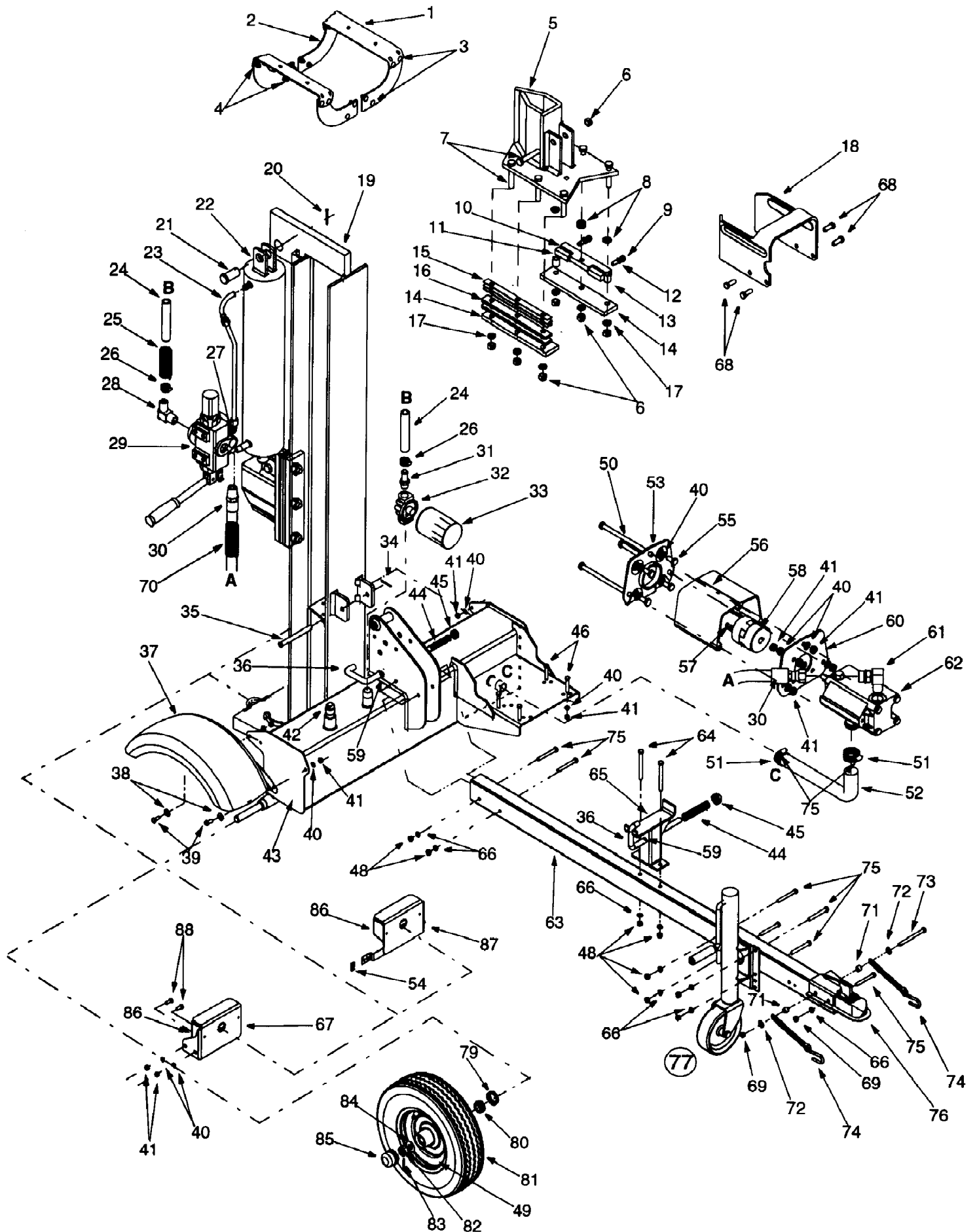


24AD595C190 33 Ton Log Splitters (2000)
General Assembly

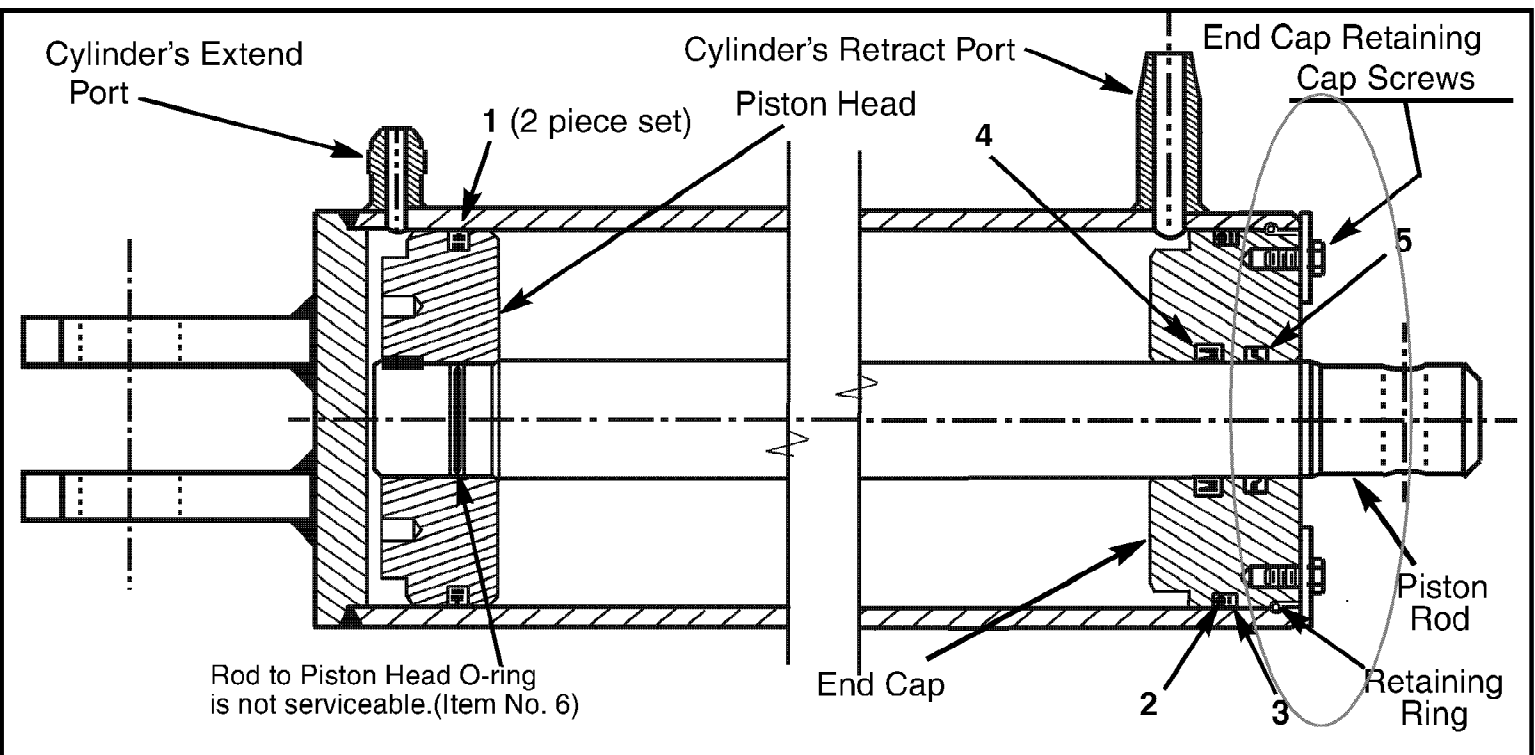


Ref #	Part Number	Qty	S/P/F	Description
1	781-0682	1	S	Log Cradle
2	781-0686	1	S	Log Cradle Bracket
3	710-3097	1		Carriage Bolt, 3/8-16 x 1.0
4	712-0431	1	S	Flanged Lock Nut, 3/8-16
5	781-0323B	1	S	Wedge Assembly
6	712-0239	1	S	Lock Nut
7	710-1018	1	/P	Hex Head Screw, 1/2-20 x 2.75
8	736-0192	1	S	Flat Washer, .531 ID x .94 OD
9	710-0459A	1	/P	Hex Cap Screw, 3/8-24 x 1.5
10	781-0356	1		Floating Gib Plate
11	781-0351	1	/P	Adjustable Gib, 5/8 x 5/8 x 2
12	712-3001	1	S	Hex Jam Nut, 3/8-24
13	750-0750	1	S	Spacer
14	781-0537	1		Back Bracket Plate
15	781-0352A	1	S	Adjustable Gib Shim
16	781-0350A	1	/P	Fixed Gib Shim
17	736-0921	1	S	Lock Washer, 1/2
18	781-0525	1		Log Dislodger Bracket
19	681-0129	1	S	Beam Assembly
20	714-0211	1		Cotter Pin
21	711-1135	1		Clevis Pin
22	718-0313	1	S	Hydraulic Cylinder replace with 718-0313A
22	753-0564	1		Kit Seal 5.0" for Fisher Hydraulics cylinder 718-0313 Fisher cylinders use a snap ring retainer system to secure the piston assembly into the cylinder.
22	753-0691	1		Kit Seal 5.0" for Best Metals cylinder 718-0313 BEST cylinders will have "BM" or "BEST" cast into the end cap.
22	718-0313A	1	S	Hydraulic Cylinder replaces 718-0313
22	953-05609	1	/P	Kit Seal 5.0" for XINGHUI cylinder 718-0313A See Service Kit 753-05609
22	953-05610	1	/P	Kit Seal 5.0" for ENERGY cylinder 718-0313A See Service Kit 753-05610
23	727-0471	1		Hydraulic Tube
24	727-0443	1		Return Hose, 3/4 x 44 Lg
25	781-0526	1		Hose Guard
26	726-0132	1	/P	Hose Clamp
27	737-0192	1	/P	Tube Adapter
28	737-0153	1		Return Elbow
29	718-0481	1	S	Control Valve
30	727-0502	1		High Pressure Hydraulic Hose
31	737-0235	1		Adapter
32	737-0306	1	S	Filter Head
33	723-0405	1	/P	Oil Filter
34	714-0470	1	S	Cotter Pin
35	738-0805	1		Hinge Pin
36	781-0690	1		Locking Rod
37	681-0138	1		Fender Assembly
38	736-0159	1	S	Washer, 5/16
39	710-0157	1		Washer, 5/16-24 x .75

24AD595C190 33 Ton Log Splitters (2000)
General Assembly

Page 3 of 7

Ref #	Part Number	Qty	S/P/F	Description
40	736-0119	1	S	Lock Washer, 5/16
41	712-0123	1	/P	Hex Nut, 5/16-24
42	737-0236	1	S	Pipe Plug
43	681-0103A	1		Frame Assembly/Tank (7 gal.)
44	732-0583	1		Compression Spring, 4"
45	726-0214	1	/P	Push Cap
46	710-0409	1	/P	Hex Cap Screw, 5/16-24 x 1.75
48	712-0798	1	/P	Hex Nut, 3/8-16
49	634-0188	1	/P	Rim Assembly (Oyster Gray)
50	710-1253	1		Hex Cap Screw, 5/16-24 x 5.25
51	726-0174	1		Hose Clamp
52	727-0451	1		Suction Hose
53	781-0098	1	S	Front Coupling Support Bracket
54	712-0292	1	/P	Speed Clip
55	710-0237	1	/P	Hex Cap Screw, 5/16-24
56	719-0315	1		Coupling Shield
57	714-0114	1	S	Key, 1/4 x 2
58	718-0685	1	S	Flex Coupling
59	736-0116	1	S	Flat Washer, .63 x .93 x .060
60	781-0097	1	S	Rear Coupling Support Bracket
61	737-0264	1		Adapter
62	718-0684	1	S	Gear Pump (16 GPM)
63	781-0680A	1	/P	Tongue Tube
64	710-0411	1	/P	Hex Screw, 3/8-16 x 4.0
65	681-0110	1	S	Support Assembly
66	736-0169	1	S	Lock Washer, 3/8
67	781-0624	1	S	Light Bracket - RH
68	710-0514	1	/P	Hex Cap Screw 3/8-16 x 1
69	712-0375	1	/P	Hex Lock Nut, 3/8-16
70	781-0538	1	S	Hose Guard
71	750-0497	1		Spacer
72	736-0262	1	/P	Flat Washer, 3/8" ID x .87" OD
73	710-0944	1	/P	Hex Bolt, 3/8-16 x 4.25
74	713-0433	1	S	Chain
75	710-0521	1	/P	Hex Bolt, 3/8-16 x 3
76	727-0311	1		Hitch Coupler
77	681-0006	1	S	Adjustable Jack Stand Assembly
79	721-0168	1	S	Bearing Seal
80	741-0987	1	S	Tapered Bearing
81	634-0186	1	/P	Wheel Assembly
82	712-0359	1	/P	Slotted Nut, 3/4-16
83	714-0162	1	/P	Cotter Pin
84	736-0351	1	S	Flat Washer, .760 ID x .500 OD
85	734-0873	1		Hub Cap
86	625-0009	1		Taillight Assembly
87	681-0074	1	S	Light Bracket Assembly - LH
88	710-0157	1	/P	Hex Cap Screw, 5/16-24 x .75



Ref #	Part Number	Qty	S/P/F	Description
1	N/A	1		Piston Seal: 2 piece set (White outer ring w/ black flat under ring) Not Available Separately
2	N/A	1		O-ring (Large, Black) Not Available Separately
3	N/A	1		Backup Ring (Black) Not Available Separately
4	N/A	1		Rod-Guide U-Cup (Dark Blue) Not Available Separately
5	N/A	1		Scraper: Rod (Black) Not Available Separately
6	N/A	1		O-ring (Small, Black) NOT USED Not Available Separately
7	N/A	1		INSTRUCTION SHEET Not Available Separately

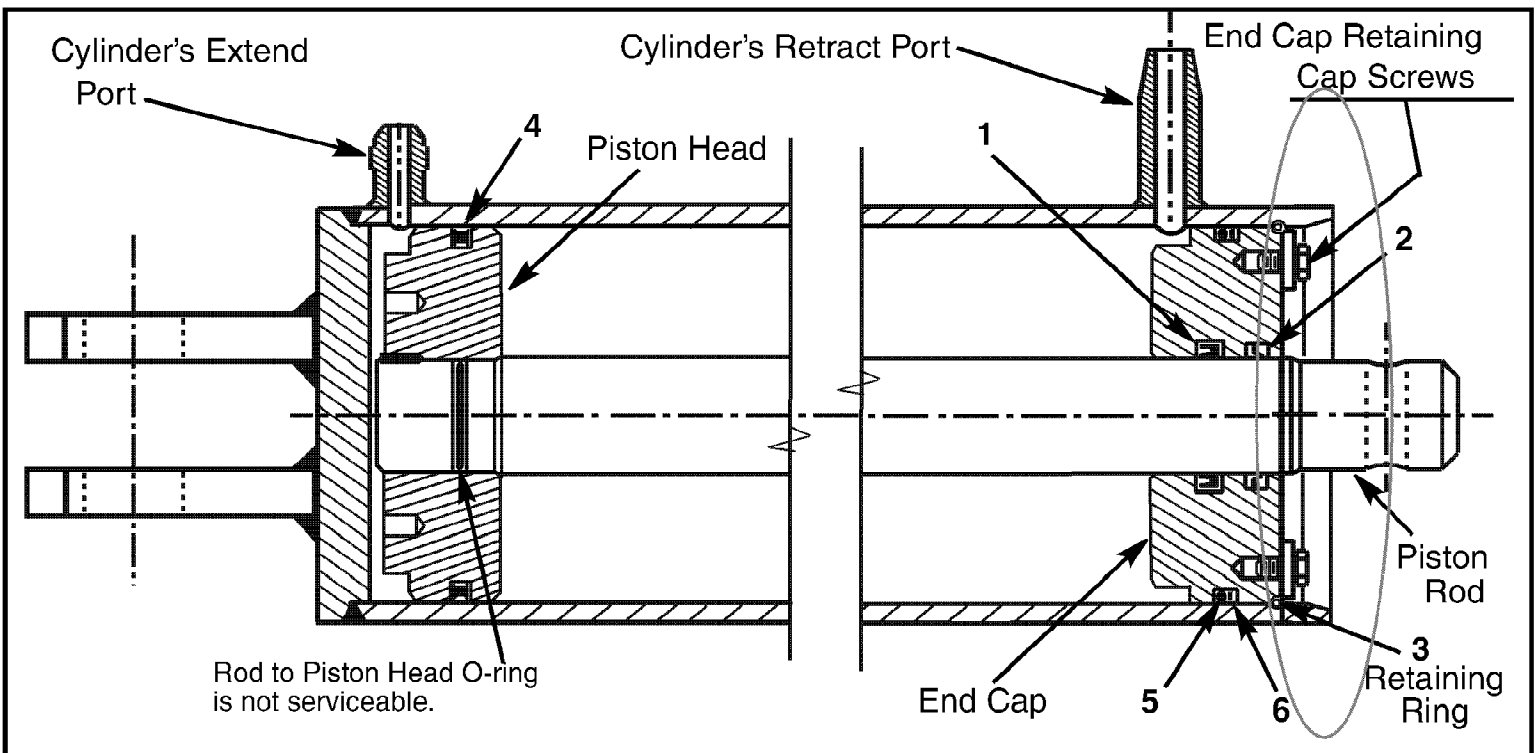


FIGURE 4

Ref #	Part Number	Qty	S/P/F	Description
1	N/A	1		Zurcon U-Cup RU3 (Blue) Not Available Separately
2	N/A	1		Scraper DA17 (Black) Not Available Separately
3	N/A	1		Retaining-Ring (Metal) Not Available Separately
4	N/A	1		Zurcon Wynseal (Blue) Not Available Separately
5	N/A	1		O-Ring (Black) Not Available Separately
6	N/A	1		Back-up Ring (White) Not Available Separately
7	N/A	1		INSTRUCTION SHEET Not Available Separately